

OPERATOR'S MANUAL

1640

3.6V Cordless Screwdriver



FIG. A



FIG. B - BATTERY CHARGING

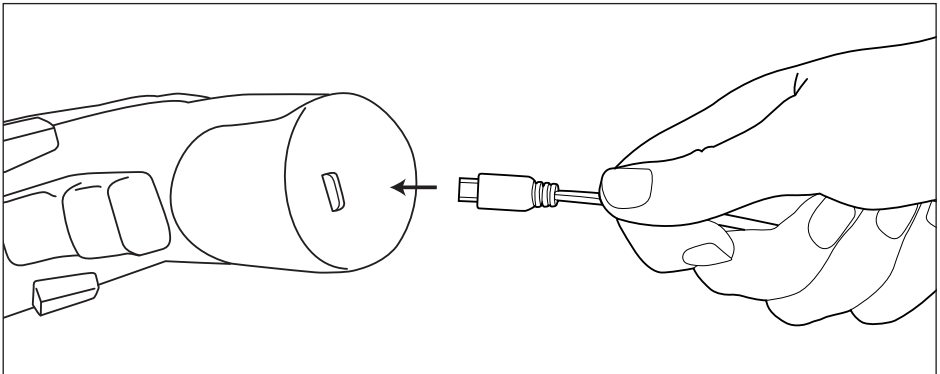


FIG. C - CHANGING THE ROTATION DIRECTION

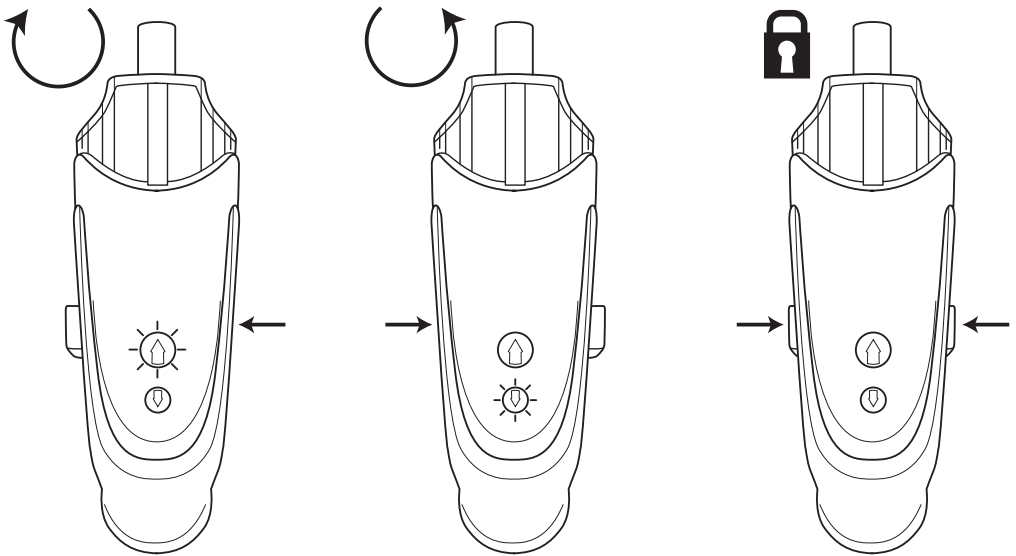
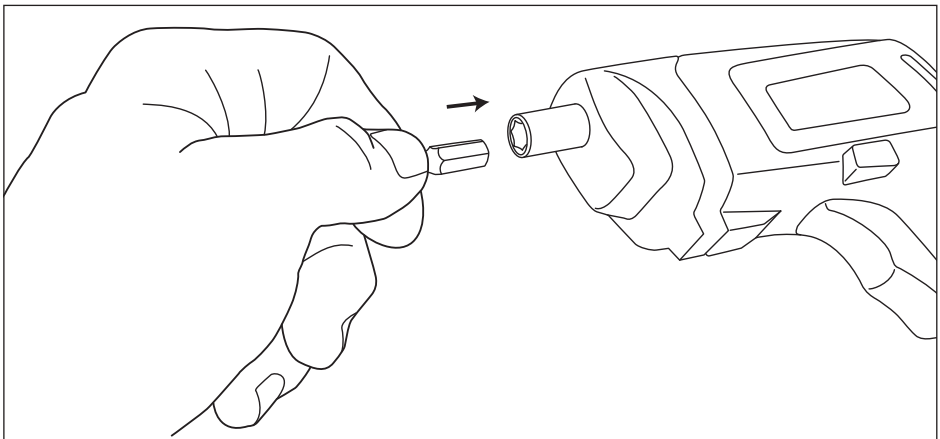


FIG. D - INSERTING AND REMOVING DRIVER BITS



3.6V Cordless Screwdriver

Congratulations!

On the purchase of your power tool. Your tool will perform to your satisfaction for a long time if handled in accordance with our Safety and Operating Instructions.

Save this manual for future reference

Technical data

Tool	3.6V Cordless Screwdriver
Model code	1640
Input voltage	3.6V DC
Driver bit size	1/4" hex
Maximum torque	4Nm
Revolution speed (no load)	230rpm
Vibration emission level*	0.369m/s ² K: 1.5m/s ²
Sound pressure level	55dB(A) K=3.0dB(A)
Sound power level	66dB(A) K=3.0dB(A)
Weight	370g
Battery	
Battery type	Lithium-ion
Voltage VDC	3.6V
Capacity	1.5Ah
Charger	
Charging time	3-5 hours
Mains voltage/input VAC	100-240V
Weight	18g

* The declared vibration emission level represents the main applications of the tools. However, if the tool is used for different applications, with different accessories or poorly maintained, the vibration emission may differ. This may significantly increase exposure level over the total working period.

Declaration of Conformity



This power tool has been designed in compliance with the Regulations and Standards of the European Directives and UK Conformity Assessed standards.

WARNING! Before use carefully read and understand all instructions.

Failure to do so could result in electric shock, fire and/or serious personal injury. The term "power tool" in all of the warnings listed below refers to your battery-operated cordless 3.6V screwdriver. For any queries relating to safety matters on this power tool, please email service@tacwise.com.

Unpacking

- Carefully remove the power tool and accessories from the outer packaging.
- Inspect the power tool carefully to make sure no breakage or damage occurred during transit.
- If any parts are damaged or missing, please email service@tacwise.com for assistance. Do not operate this power tool until the missing or damaged parts are replaced. Failure to do so could result in a personal injury.

- Whilst every effort has been made to ensure accuracy of information contained within this manual, our policy is one of continuous improvement to our products and as such we reserve the right to change the product specification without prior notice.

General Safety Instructions

Important. This power tool should not be modified or used for any application other than that for which it was designed. Any such alteration or modification is misuse and could result in a hazardous condition leading to a personal injury. If you are unsure of its relative applications do not hesitate to contact us and we will advise you.

Work Area

- **Keep your work area clean and well lit.** Cluttered benches and dark areas invite accidents.
- **Keep children and pets away.** All visitors should be kept at a safe distance from the work area.
- **Avoid dangerous environments.** Do not use power tools in damp or wet locations or expose them to rain. Provide adequate space surrounding the work area. Do not use in environments with a potentially explosive atmosphere, such as in the presence of flammable liquids, gases or dust; power tools will create sparks which may ignite the dust or fumes.
- **Secure work.** Use clamps or a vice to hold work. This frees both hands to operate the power tool.

Personal Safety

- **Stay alert.** Always watch what you are doing and use common sense. Do not operate a power tool when you are tired or under the influence of medication, alcohol or drugs.
- **Wear proper clothing.** Do not wear loose clothing or jewellery that can catch in moving parts. Non-slip footwear is recommended. Contain long hair and roll long sleeves up above the elbow.
- **Do not overreach or use on unstable surfaces.** Keep proper footing and balance at all times.
- **Use safety equipment.** Dust mask, non-skid safety shoes, hard hat, and hearing protection must be used for appropriate conditions. Wear CE approved safety goggles at all times. Normal spectacles only have impact resistant lenses; they are NOT safety goggles.

Electrical Safety

- **Ensure the rotation direction switch (6) is in the centre 'lock' position and USB cable removed,** when not in use, before storing the power tool, before servicing or when changing accessories such as driver bits etc.
- **Do not expose power tool to rain or wet conditions.**
- **Power tool plugs must match the outlet.** Do not use any adaptor plugs with earthed (grounded) power tools. Unmodified plugs and matching outlets will reduce risk of electric shock.
- **Protect yourself from electric shock.** When working with power tools, avoid contact with any earthed or grounded surfaces such as pipes, radiators, hobs and refrigerators.
- **Do not abuse the USB cord.** Never carry the tool by the charging cable or pull the cable with force from the socket. Keep the USB cord away from heat, oil, sharp edges or moving parts. Damaged or entangled cords may create a fire or increase the risk of electric shock.

Power Tool Use and Care

- **Do not force the power tool.** Use the correct power tool for your application. It will do the job better and safer at the rate for which

it was designed. Do not force the power tool to where the drive stops. This can cause damage to the internal workings and could overload the power tool.

- **Do not alter or misuse the power tool.** Use of the power tool for operations different from those intended could result in a hazardous situation.
- **Keep fingers off the trigger until ready to drive the screw.**
- **Do not use on hard surfaces** such as rock, concrete, masonry, bricks or steel. Personal injury or damage to the power tool could result.
- **Secure work.** Use clamps or other practical ways to secure and support the work piece to a stable platform. Holding the work by hand or against your body is unstable and may lead to loss of control.
- **Store power tools.** When not in use, all power tools should be stored in a dry, locked cupboard and out of the reach of children and other untrained persons.
- **Check for damaged parts.** Check for misalignment or bending of moving parts, breakage of parts and any other condition that may affect the power tool operation. If damaged, immediately discontinue use and ensure the power tool is repaired before using again. Poorly maintained power tools can result in accidents.
- **Maintain power tools with care.** Cables must be checked at regular intervals and replaced if damaged.
- **Recommended accessories.** Use only accessories that are recommended by the manufacturer for your model. Use of accessories that are not designed for this tool could result in personal injury and/or damage to the power tool.
- **Keep the power tool and its handle dry, clean and free from oil and grease for the best and safest performance.** Always use a clean cloth when cleaning. Never use brake fluids, gasoline, petroleum-based products, or any strong solvents to clean your power tool. Following this rule will reduce the risk of loss of control and deterioration of the power tool housing.

Battery Tool Use and Care

- **Use only the USB cable specified by the manufacturer.** Use of the wrong charger with the in-built battery may create the risk of a fire.
- **The battery is built into the tool, so cannot be replaced.**
- **Be careful not to short circuit the power tool,** as this may cause a fire.
- **Never leave a power tool unattended whilst charging.**
- **Never cover the power tool or charger whilst charging.**
- **Liquid may leak from the battery under abusive conditions.** Avoid contact. If skin should accidentally come into contact with liquid, flush with water. If liquid should come into contact with eyes seek additional medical help. Liquid ejected from damaged battery may cause irritation or burns.

Specific Safety Instructions

- **Do not touch any part of the bit holder (1),** inserted driver bit or rotation direction switch (6) during operation. Hold only by the handle or housing of the tool.
- **Fastening thin items.** Special caution must be taken for possible penetration through thin items, as this could cause possible harm to anyone or anything behind the work piece or immediate area.
- **Never use the tool as a hammer.** The sudden impact could shift inner components of the power tool and cause damage to the power tool.
- **When fastening has been completed always ensure the rotation direction switch (6) is set to the centre 'lock' position.**
- **Do not disassemble any of the fastener driving parts.**

- **Never point any power tool at yourself or at any other person.** While working, hold the tool in such a way that no injuries can be caused to the head or to the body in the event of possible recoil.
- **Never actuate the power tool into free space or the air.**
- **Do not attempt to open the tool housing or battery pack.** There is a danger of short-circuiting.
- **Use appropriate detectors to determine if any utility lines** (electric, gas or water) are hidden within the work area or call your local utility company for assistance.
- **Do not work on live parts.** Make sure appropriate contact protection is in place when working near electrical lines or similar.
- **Protect the battery against heat** (continuous intense sunlight), fire, water and moisture. There is a danger of explosion.

Model and Serial No.

The model code and serial number of this tool will be found on a label located on the tool's housing. Please record the model code and serial number in the space provided below. Please always give the following information when contacting us.

MODEL CODE.....

SERIAL NUMBER.....

Explanation of Label on Power Tool



Wear CE approved safety goggles at all times



Read instruction manual before use



Dispose of power tool in accordance with environmental legislation



CE: Conforms with EC directives



UKCA: Conforms with UK Conformity Assessed Standards

Service

Any servicing requires specialist tools and knowledge and should be performed only by our qualified service engineers or appointed service agent. We strongly recommend that the main housing of the tool is not opened, as such action may result in injury and may compromise the tool warranty.

Features (FIG. A)

1. Bit holder
2. Rotation direction indicator LEDs
3. Charging point
4. Charging indicator LED
5. Trigger
6. Rotation direction switch
7. LED work light

Battery charging (FIG. B)

Use only the USB battery charger that comes with the product. Only the USB charging cord that is matched to the lithium-ion battery should be used in your tool.

- The tool requires recharging when the charging indicator LED (4) shows a red light.
- Insert the charging cable into the charging point (3). Plug the USB charger end into a USB plug/USB port. Plug the charger into a power socket. The charging indicator LED (4) on the tool will start to flash (battery is charging).
- When battery is fully charged (approx. 3-5 hrs) the charging indicator LED (4) will be illuminated continuously.
- The tool is now ready to use. Remove the USB charger from the power source and the power tool.

NOTE: The power tool cannot be used during charging.

NOTE: Charge time will vary depending on input voltage and power source. The USB charging is much more efficient and faster if connected to a mains power outlet.

NOTE: Tool may feel warm during charging.

NOTE: The battery is supplied partially charged. To ensure full capacity of the battery, completely charge the battery before using your power tool for the first time. The lithium-ion battery can be charged at any time without reducing its service life and reaches full capacity after its 5th charge/discharge cycle. The power tool should be charged regularly every few months to prevent damage to the battery. The battery is protected from exhaustive discharge. The battery should only be charged between temperatures of 0°C and 45°C. Observe the notes for "battery disposal".

Changing the Rotation Direction (FIG. C)

- Hold the tool facing away from the body.
- For clockwise direction (tightening of screws), push the rotation direction switch (6) fully to the left.
- For anti-clockwise direction (loosening of screws), push the rotation direction switch (6) fully to the right.
- When the rotation direction switch (6) is in the central position, the drive is locked and squeezing the trigger (5) will not activate the tool, but the LED work light (7) will illuminate until the trigger (5) is released.

NOTE: Never attempt to change the rotation direction whilst the trigger is squeezed. Only change the rotation direction when the trigger has been released and the drive has stopped completely.

Inserting and Removing Driver Bits (FIG. D)

- Ensure the rotation direction switch (6) is in the centre 'lock' position and the tool is unplugged from the charger.
- Insert the driver bit into the bit holder (1). The driver bit will be held in place by a magnet.
- Ensure the driver bit is as far in the bit holder (1) that it can go.
- To remove a driver bit, first ensure the rotation direction switch (6) is in the centre 'lock' position and the tool is unplugged from the charger. Pull the driver bit straight out of the bit holder (1).

NOTE: Always ensure that the driver bit matches the size and shape of the screw.

Using the Tool

The intended use for the tool is for screwing in and loosening of screws.

- Ensure the tool has the correct driver bit attached for the job and is unplugged from the charger.
- Set the direction rotation switch (6) to the intended direction.
- Squeeze the trigger (5) to activate the power tool.
- The LED work light (7) will illuminate. The appropriate rotation direction indicator LED (2) will also illuminate.

NOTE: Do not look directly at the LED work light (7) when illuminated.

- Release the trigger (5) to stop the power tool.
- Return the direction rotation switch (6) to the centre 'lock' position.

Maintenance

Your power tool has been designed to operate over a long period of time with a minimum of maintenance. Continuous satisfactory operating depends upon proper tool care and regular cleaning. If the machine should fail despite the care taken in manufacturing and testing procedures, repair should be carried out by our service engineers or appointed service agent. In all correspondence and spare parts order, please always include the serial number given on this machine.

Cleaning

- Keep the ventilation slots clear and regularly clean.
- Clean the bit holder (1). Remove any debris that may accumulate in the bit holder.

Lubrication

This tool requires no lubrication. Do not lubricate the tool, as it will damage the internal parts.

Product Advice and Technical Support

What to do if you have a problem with your power tool?

Email service@tacwise.com.

Transport

The contained lithium-ion batteries are subject to the Dangerous Goods Legislation requirements. The user can transport the batteries by road without further requirements. When being transported by third parties (e.g. air transport or forwarding agency), special requirements on packaging and labelling must be observed. For preparation of the item being shipped, consulting an expert for hazardous material is required. Dispatch batteries only when the housing is undamaged. Tape or mask off open contacts and pack up the battery in such a manner that it cannot move around in the packaging. Please also observe possibly more detailed national regulations.

Unwanted Tools

Recycle unwanted materials instead of disposing them as waste. All tools and packaging should be sorted, taken to the local recycling centre and disposed of in an environmentally safe way. Alternatively, please email service@tacwise.com for details on how to dispose of your power tool free of charge in an environmentally friendly manner.

Battery Disposal

Follow your Local Authority procedures for the disposal of Lithium-ion battery packs.

Guarantee

All our power tools are carefully checked, tested and are subject to the stringent controls of Quality Assurance. We therefore offer the following guarantee for power tools. Your warranty claim based on your sales contract with the retailer, including your statutory rights, shall not be affected by this guarantee.

One-Month Guarantee

If you are not completely satisfied with the performance of your power tool or it is faulty or damaged on purchase then we will exchange the product or issue a full refund within 28 days of purchase. Proof of purchase must be produced with an original receipt and the tool must

be returned complete as purchased to the point of purchase.
This does not affect your statutory rights.

One-Year Free Servicing

If your power tool requires maintenance or servicing in the 12 months following purchase, it will be undertaken free of charge by one of our service engineers. Proof of purchase must be produced with an original receipt. This includes labour and spare parts for the tool. However in some cases the most economical option will likely be a replacement service exchange unit supplied by us. Accessories such as batteries, fasteners etc. are excluded.

Two-Year Standard Warranty

Should your power tool become defective due to faulty materials or workmanship within 24 months from the date of purchase, we guarantee to replace all defective parts free of charge or at our discretion, replace the tool free of charge. This warranty does not cover:

- Tools that have received unauthorised changes or additions.
- Defects caused by using accessories, components or spare parts other than approved/genuine manufacturer's accessories or parts.
- Component parts that are subject to natural wear and tear caused by use in accordance with our operating instructions.
- Defects to the tool caused by improper use, abnormal environmental conditions or inappropriate operating conditions, non-compliance with our operating instructions or insufficient servicing or maintenance.
- Proof of purchase must be produced with an original receipt.

For details of your nearest service engineer, please email service@tacwise.com, or to register your warranty visit www.tacwise.com/warranty-registration